



## Ultimate System 10 Bevelled Flush Sash Casement Technical Specification

JohnFREDERICKS

MANUFACTURERS OF

theultimate<sup>®</sup>  
collection

### PVC-u Profile

- System 10 70mm bevelled including Flush Sash
- Standard outer frame 56mm high / optional 72mm
- Full welded transoms and mullions
- Steel reinforced to manufacturers specification
- Variable bay poles available plus standard 90°
- Mitred internal bevelled beads (optional ovolo beads)

### Colours

- Smooth White
- White W/grain
- Rosewood
- Rosewood on Smooth White
- Cherrywood
- Cherrywood on Smooth White
- Irish Oak
- Irish Oak on Smooth White
- Ice Cream W/grain
- Ice Cream W/grain on Smooth White
- 7016 Grey W/grain
- 7016 Grey W/grain on Smooth White
- 7016 Grey Smooth on Smooth White
- 7016 Grey W/grain on White W/grain
- 7015 Grey W/grain on Smooth White
- Chartwell Green W/grain on Smooth White
- Black W/grain on Smooth White
- Agate Grey 7038 W/grain on Smooth White
- French Grey 7032 W/grain on Smooth White
- Sprayed to RAL colour of choice

### Handles

- Standard – White key locking handle
- Optional Colours – Black, Chrome, Gold, Graphite, Bronze, Antique Black, Satin
- Monkey Tail or Tear Drop available in Antique Black, Chrome, Gold, Graphite
- False peg stays to match Monkey Tail or Tear Drop handles available in Antique Black, Chrome, Gold, Graphite

### Locking and Hinge System

- Maco shootbolt-espag. 2 biparting cams, 2 or 4 roller cams (dependant on sash size), 2 shootbolt locks, 2 metal anti-jemmy hinge bolts. Yale high security fire escape/easy-clean hinges fitted as standard to all side-opening windows.
- Optional Tristay fire escape/easy-clean hinge with built in restrictor
- Optional Mega Hinge (used for triple glazed side hung sashes or extra wide sashes up to 900mm – maximum weight limits apply)

### Glass Unit Options

- Standard – 28mm Double Glazed to U value 1.4
- (Black, White or Grey warm edge spacer bar)
- Optional 32mm Triple Glazed to U value 1.1 (bevelled bead only).

### Glazing Options

- Clear or patterned glass | range of lead lite patterns
- Internal 18mm or 25mm Georgian bar
- Bevelled Ali-lock clip on Georgian bar inside and out (Ovolo option)

### Ventilation

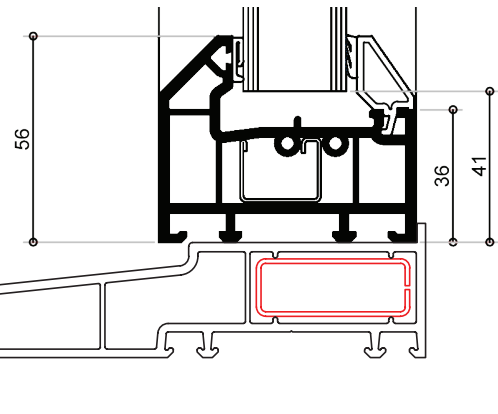
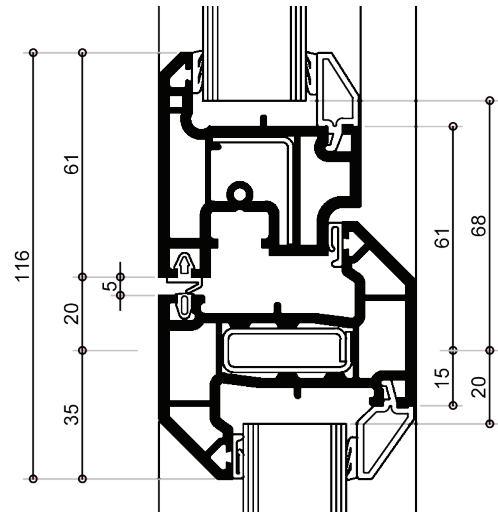
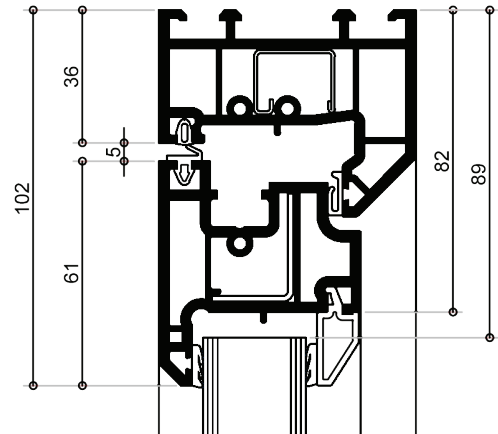
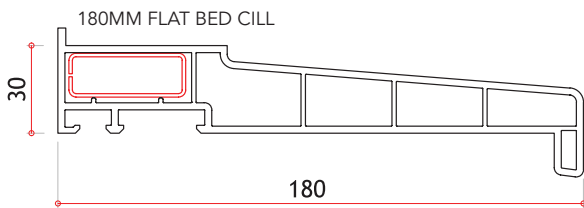
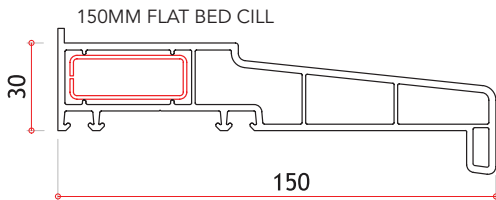
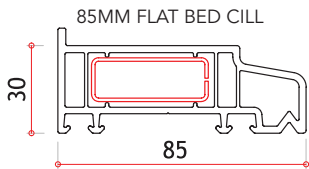
- When specified 2500/5000 trickle vents can be fitted to the top of outerframe only

### Accreditations

- BS6375 Weather performance
- PAS24 Enhanced Security KM 36015

# ULTIMATE SYSTEM 10 BEVELLED FLUSH CASEMENT - TYPICAL SECTIONS

Outward opening internally beaded | Bevelled profile | All measurements in mm



Side Hung Sash max width (Mull-Mull) 650mm

Top Hung Sash max width (Mull-Mull) 1250mm

Side Hung Sash max height (Mull-Mull) 1350mm

Top Hung Sash max height (Mull-Mull) 1250mm

Minimum Fanlight depth (O/Frame-Trans) 329mm

## Weight Restrictions

Standard hinges will be changed for heavy duty hinges when the weight of the sash exceeds the limitations of standard hinges.

## Using Heavy Duty Hinges

Top Opener Max 1350mm wide x 1350mm high (50kgs)  
Side opener Max 700mm wide x 1350mm high (24kgs)