



Ultimate Rustique Ovolo Tilt & Turn Windows Technical Specification

JohnFREDERICKS

MANUFACTURERS OF

theultimate[®]
collection

PVC-u Profile

- Halo Rustique 70mm ovolo
- Standard outer frame 56mm high / optional 72mm
- Fully welded transoms and mullions
- Steel reinforced to manufacturers specification
- Variable bay poles available plus standard 90°
- Mitred internal ovolo beads

Colours

- Smooth White
- White W/grain
- Rosewood
- Rosewood on Smooth White
- Cherrywood
- Cherrywood on Smooth White
- Irish Oak
- Black W/grain on Smooth White
- Dark Grey 7016 on Smooth White
- Irish Oak on Smooth White
- Sprayed to RAL colour of choice

Handles

- Standard – White Tilt lock and turn handle
- Optional Colours – Black, Chrome, Gold, Bronze, Antique Black, Satin

Locking and Hinge System

- Opening inwards concealed wrap-around Tilt Before Turn gearing. Opening to 90° as standard.
- Optional face-mounted Tilt Before Turn gearing. If 180° is required this is an option that must be specified (must be used in conjunction with 72mm large outerframe).

Glass Unit Options

- Standard – 28mm Double Glazed to U value 1.4
- (Black, White or Grey warm edge spacer bar)
- Optional 36mm Triple Glazed to U value 1.1 (bevelled bead only)

Glazing Options

- Clear or patterned glass | range of lead lite patterns
- Internal 18mm or 25mm Georgian bar
- Ovolo Ali-lock clip on Georgian bar inside and out

Ventilation

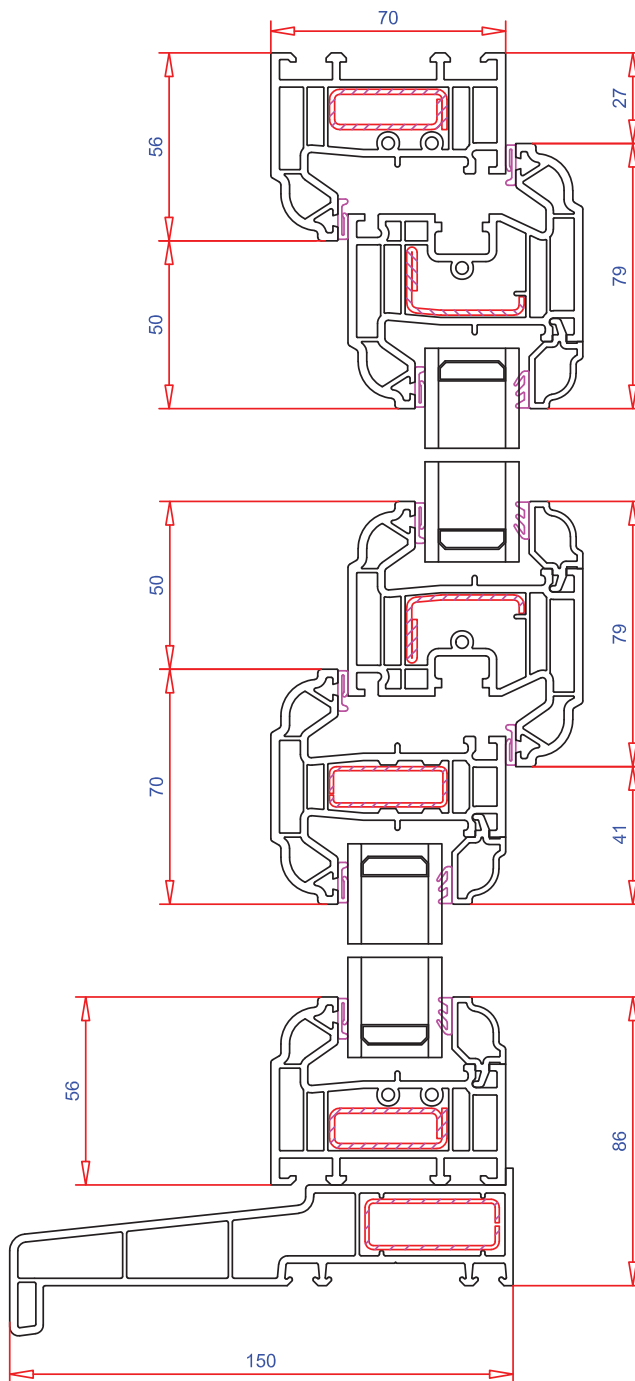
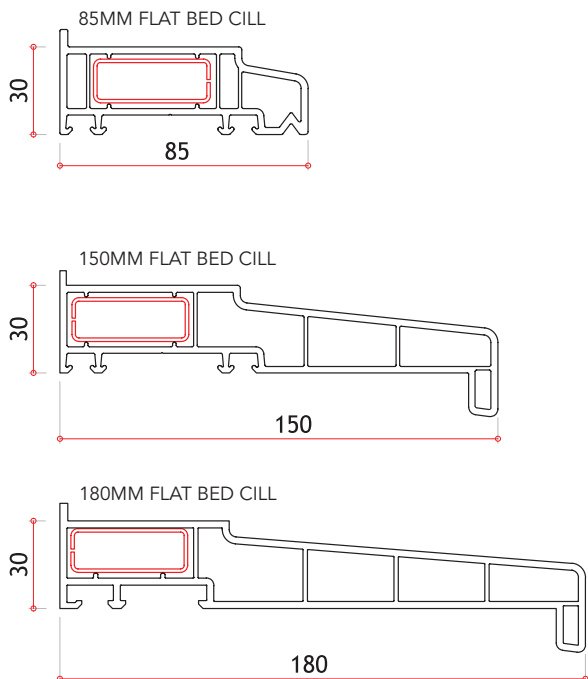
- When specified 2500/5000 trickle vents can be fitted to the top of the window opener (or top of large outer frame)

Accreditations

- BS7412 Weather Performance KM 36014
- PAS24 Enhanced Security KM 36015

ULTIMATE RUSTIQUE OVOLO TILT & TURN WINDOWS - TYPICAL SECTIONS

Inward opening internally beaded | Ovolo profile | All measurements in mm



Side Hung Sash max width (Mull-Mull) 650mm

Top Hung Sash max width (Mull-Mull) 1450mm

Side Hung Sash max height (Mull-Mull) 1450mm

Top Hung Sash max height (Mull-Mull) 1050mm

Minimum Fanlight depth (O/Frame-Trans) 329mm

Weight Restrictions

Standard hinges will be changed for heavy duty hinges when the weight of the sash exceeds the limitations of standard hinges.

Using Heavy Duty Hinges

Top Opener Max 1450mm wide x 1550mm high (50kgs)
 Side opener Max 750mm wide x 1450mm high (24kgs)
 (Side Opener Max 900mm wide using DGS Mega Hinge)