



# Ultimate Rustique Ovolo Casement Windows Technical Specification

JohnFREDERICKS

MANUFACTURERS OF

*theultimate*  
collection

## PVC-u Profile

- Halo Rustique 70mm ovolo
- Standard outer frame 56mm high / optional 72mm
- Fully welded transoms and mullions
- Steel reinforced to manufacturers specification
- Variable bay poles available plus standard 90°, 135°, 150°
- Mitred internal ovolo beads

## Colours

- Smooth White
- White W/grain
- Rosewood
- Rosewood on Smooth White
- Cherrywood
- Cherrywood on Smooth White
- Irish Oak
- Ice Cream W/grain
- Ice Cream W/grain on Smooth White
- 7016 Grey W/grain
- 7016 Grey W/grain on Smooth White
- Chartwell Green W/grain on Smooth White
- Black W/grain on Smooth White
- Sprayed to RAL colour of choice

## Handles

- Standard – White Connoisseur key locking handle
- Optional Colours – Black, Chrome, Gold, Graphite, Bronze, Antique Black, Satin
- Monkey Tail or Tear Drop available in Antique Black, Chrome, Gold, Graphite
- False peg stays to match Monkey Tail or Tear Drop handles available in Antique Black, Chrome, Gold, Graphite
- Traditional Monkey Tail available in Antique Black
- Working peg stay to match the Traditional Monkey Tail available in Antique Black

## Locking and Hinge System

- Maco shootbolt-espag. 2 bidirectional cams, 2 or 4 roller cams (dependant on sash size), 2 shootbolt locks, 2 metal anti-jemmy hinge bolts. High security fire escape/easy-clean hinges fitted as standard to all side-opening windows. Includes penny slot bolt for easy-clean release.
- Optional Tristay fire escape/easy-clean hinge with built in restrictor
- Optional Mega Hinge (used for triple glazed side hung sashes or extra wide sashes up to 900mm – maximum weight limits apply)

## Glass Unit Options

- Standard – 28mm Double Glazed to U value 1.4
- (Black, White or Grey warm edge spacer bar)
- Optional 36mm Triple Glazed to U value 1.1 (bevelled bead only)

## Glazing Options

- Clear or patterned glass | range of lead lite patterns
- Internal 18mm or 25mm Georgian bar
- Ovolo Ali-lock clip on Georgian bar inside and out

## Ventilation

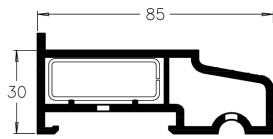
- When specified 2500/5000 trickle vents can be fitted to the top of the window opener (or top of large outer frame)

## Accreditations

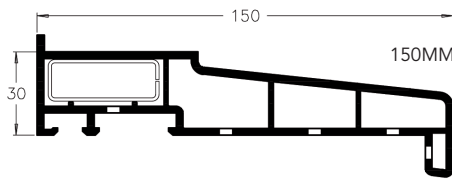
- BS7412 Weather Performance KM 36014
- PAS24 Enhanced Security KM 36015

# ULTIMATE RUSTIQUE OVOLO CASEMENT WINDOWS - TYPICAL SECTIONS

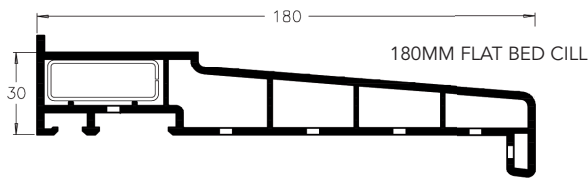
Outward opening internally beaded | Ovolo profile | All measurements in mm



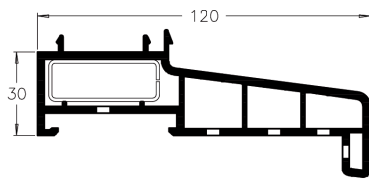
85MM FLAT BED CILL



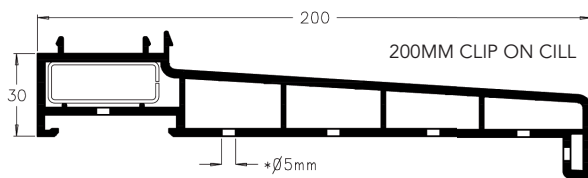
150MM FLAT BED CILL



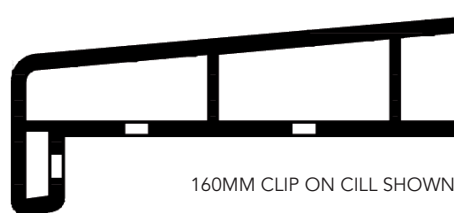
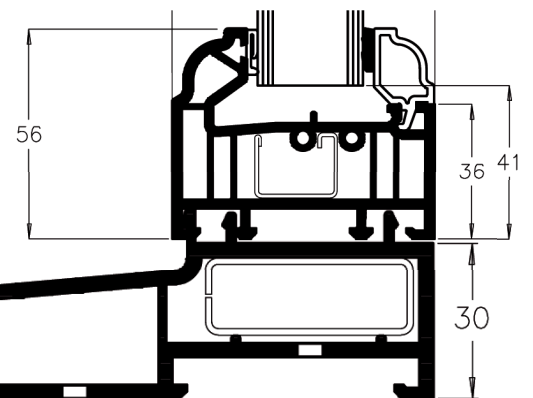
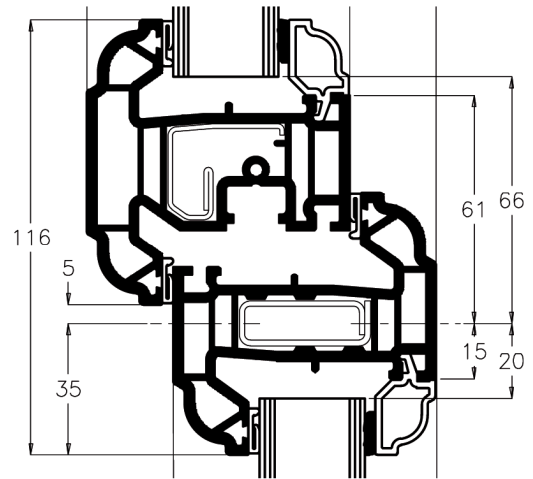
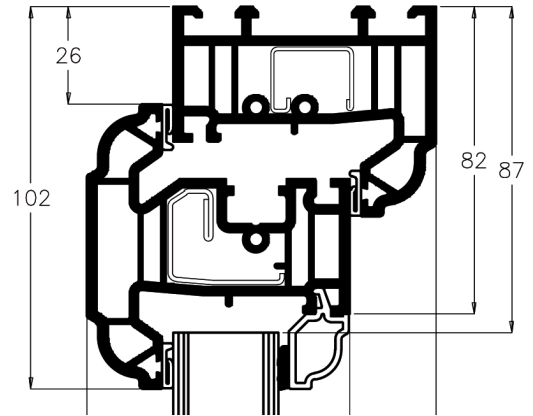
180MM FLAT BED CILL



120MM CLIP ON CILL



200MM CLIP ON CILL



160MM CLIP ON CILL SHOWN

|                                       |        |  |        |
|---------------------------------------|--------|--|--------|
| Side Hung Sash max width (Mull-Mull)  | 650mm  | Top Hung Sash max width (Mull-Mull)    | 1450mm |
| Side Hung Sash max height (Mull-Mull) | 1450mm | Top Hung Sash max height (Mull-Mull)   | 1050mm |
|                                       |        | Minimum Fanlight depth (O/Frame-Trans) | 329mm  |

## Weight Restrictions

Standard hinges will be changed for heavy duty hinges when the weight of the sash exceeds the limitations of standard hinges.

## Using Heavy Duty Hinges

Top Opener Max 1450mm wide x 1550mm high (50kgs)  
 Side opener Max 750mm wide x 1450mm high (24kgs)  
 (Side Opener Max 900mm wide using DGS Mega Hinge)