



Ultimate Heritage Casement Windows Technical Specification

JohnFREDERICKS

MANUFACTURERS OF

*the*ultimate
collection

PVC-u Profile

- Rustique 70mm ovolo outer frame with System 10 rebated bevelled sash
- Option of Rustique ovolo outer frame with flush sash
- Option of **GENUS** mechanical timber look joints.
- Standard outer frame 56mm high / optional 72mm
- Mechanical joints to transoms and mullions (knifed off welded corner joints).
- Fitted with dummy sashes as standard
- Steel reinforced to manufacturers specification
- Variable bay poles available plus standard 90°, 135°, 150°
- Mitred internal ovolo beads

Colours

- Smooth White
- White W/grain
- Ice Cream 9001 W/grain on White W/grain
- Ivory 1015 W/grain on White W/grain
- Agate Grey 7038 W/grain on White W/Grain
- French Grey 7032 W/grain on White W/Grain
- Balmoral W/grain on White W/grain
- Anthracite Grey 7016 W/grain on White W/grain
- Black 8022 W/grain on White W/grain
- Rosewood
- Rosewood on White W/grain
- Cherrywood
- Cherrywood on Smooth White
- Sprayed to RAL col of choice

Handles

- Standard – White Connoisseur key locking handle
- Optional Colours – Black, Chrome, Gold, Graphite, Bronze, Antique Black, Satin
- Monkey Tail or Tear Drop available in Antique Black, Chrome, Gold, Graphite
- False peg stays to match Monkey Tail or Tear Drop handles available in Antique Black, Chrome, Gold, Graphite
- Traditional Monkey Tail available in Antique Black
- Working peg stay to match the Traditional Monkey Tail available in Antique Black

Locking and Hinge System

- Maco shootbolt-espag. 2 bidirectional cams, 2 or 4 roller cams (dependant on sash size), 2 shootbolt locks, 2 metal anti-jemmy hinge bolts. High security fire escape/easy-clean hinges fitted as standard to all side-opening windows. Includes penny slot bolt for easy-clean release.
- Optional Tristay fire escape/easy-clean hinge with built in restrictor
- Optional Mega Hinge (used for triple glazed side hung sashes or extra wide sashes up to 900mm – maximum weight limits apply)

Glass Unit Options

- Standard – 28mm Double Glazed to U value 1.4 (Black, White or Grey warm edge spacer bar)
- Optional 36mm (32mm for flush welded) Triple Glazed to U value 1.1 (Rebated/bevelled bead only).

Glazing Options

- Clear or patterned glass | range of lead lite patterns
- Internal 18mm or 25mm Georgian bar
- Ali-lock clip on Georgian bar inside and out

Ventilation

- When specified 2500/5000 trickle vents can be fitted to the top of the window opener or top of large outer frame (for rebated sash) and top of outerframe only (for flush sash)

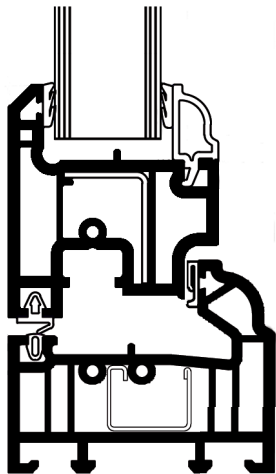
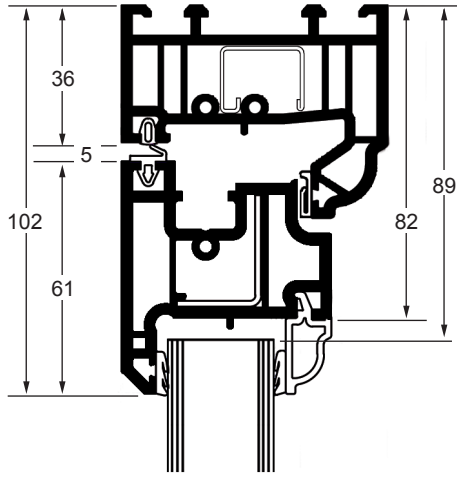
Accreditations

- BS6375 Weather performance
- PAS24 Enhanced Security KM 36015

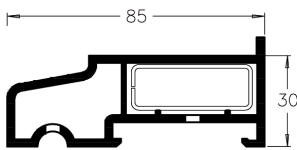
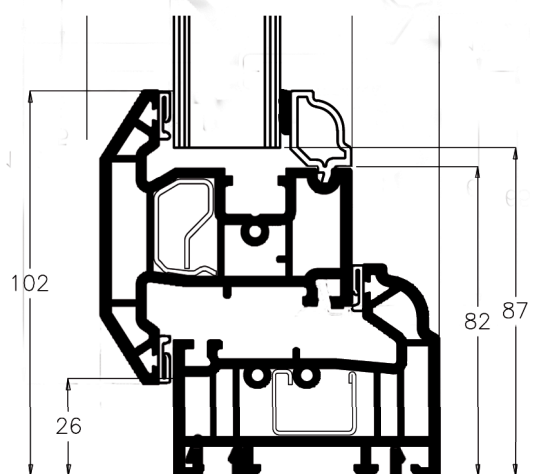
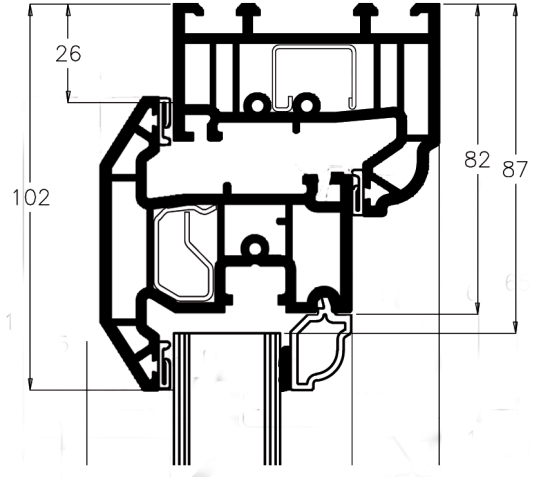
ULTIMATE HERITAGE CASEMENT WINDOWS - TYPICAL SECTIONS

Outward opening internally beaded | Bevelled External Ovolo Internal | All measurements in mm

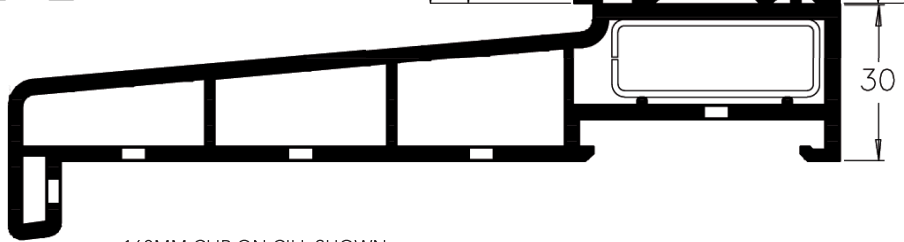
RUSTIQUE O/F WITH FLUSH SASH



RUSTIQUE O/F WITH BEVELLED SASH



85MM FLAT BED CILL



160MM CLIP ON CILL SHOWN

Side Hung Sash max width (Mull-Mull)	650mm	Top Hung Sash max width (Mull-Mull)	1450mm
Side Hung Sash max height (Mull-Mull)	1450mm	Top Hung Sash max height (Mull-Mull)	1050mm
Note:- Max/Min Sizes will reduce for flush sash option		Minimum Fanlight depth (O/Frame-Trans)	329mm

Weight Restrictions

Standard hinges will be changed for heavy duty hinges when the weight of the sash exceeds the limitations of standard hinges.

Using Heavy Duty Hinges

Top Opener Max 1450mm wide x 1550mm high (50kgs)
 Side opener Max 750mm wide x 1450mm high (24kgs)
 (Side Opener Max 900mm wide using DGS Mega Hinge)